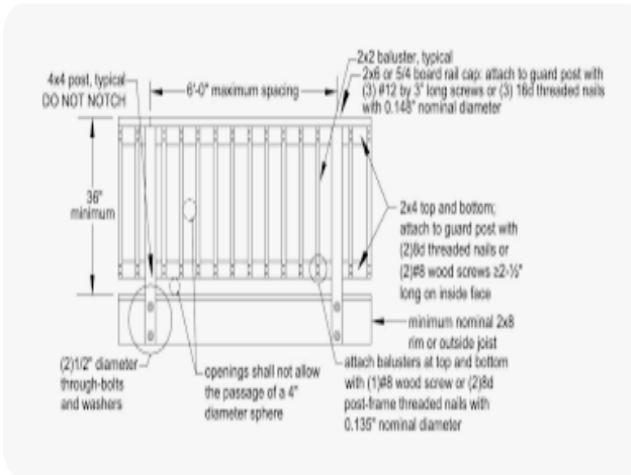
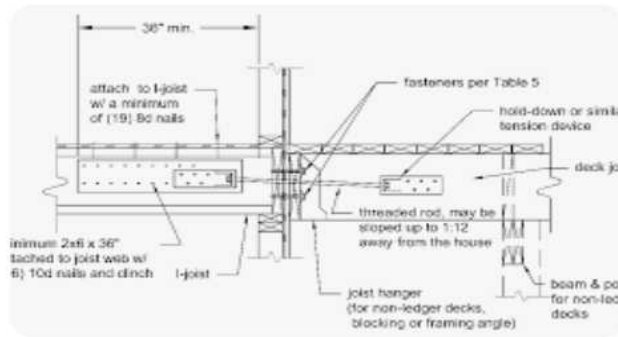


Council for the Pennsylvania Housing Research Council affiliated with Penn State University. Matt also serves on various National Fire Protection Association (NFPA) Committees. Since joining the AWC in 2015, Matt has provided extensive live and remote continuing education opportunities throughout the Mid-Atlantic and New England regions in support of state and local ICC Chapters. He actively assists the New York State-Department of State with online webinar training programs, as well as the State of Maine with their Building Resilient Infrastructure and Communities (BRIC) grant training. In 2023, he co-authored a paper on Review of the code development efforts for tall mass timber buildings in the US that was presented at the World Conference on Timber Engineering in Oslo, Norway. He is an active-duty Army veteran and Eagle Scout.



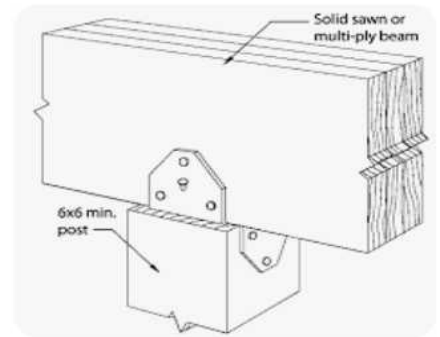
American Wood Council

DCA6 Prescriptive Residential Wood Deck ...



Revize

DCA6 Prescriptive Residential Wood Deck...



American Wood Council

DCA6 Prescriptive Resident...

Tin Htway

President Metro- West Building

Cell (818) 645- 7006

tin.htway@mwboa.org

Robert Berger is inviting you to a scheduled Zoom meeting.

Join Zoom Meeting

<https://us06web.zoom.us/j/84673594079?pwd=paAMp5Y7gGxrLtE7ZCo031oUhIVRks.1>

Meeting ID: 846 7359 4079

Passcode: 662767

One tap mobile

+13052241968,,84673594079#,,,,*662767# US

+13092053325,,84673594079#,,,,*662767# US

Dial by your location

- +1 305 224 1968 US
- +1 309 205 3325 US
- +1 312 626 6799 US (Chicago)
- +1 646 558 8656 US (New York)
- +1 646 931 3860 US
- +1 301 715 8592 US (Washington DC)
- +1 360 209 5623 US
- +1 386 347 5053 US
- +1 507 473 4847 US
- +1 564 217 2000 US
- +1 669 444 9171 US
- +1 689 278 1000 US
- +1 719 359 4580 US
- +1 720 707 2699 US (Denver)
- +1 253 205 0468 US
- +1 253 215 8782 US (Tacoma)
- +1 346 248 7799 US (Houston)

Meeting ID: 846 7359 4079

Passcode: 662767

Find your local number: <https://us06web.zoom.us/u/kbi8wgQHR6>